

DESIGN DATA				
	UNITS	LEISURE POOL	WADING POOL	SPRAYGROUND
LENGTH	FT.	VARIES	VARIES	VARIES
WIDTH	FT.	VARIES	VARIES	VARIES
WATER SURFACE AREA	SQ. FT.	10,358	2,594	5,528
PERIMETER	FT.	975	282	361
VOLUME	GALLON	364,259	22,945	4,185
RECIRCULATION SYSTEM				
POOL TURNOVER RATE	HR	2.76	0.96	0.47
RECIRCULATION RATE	GPM	1100	400	190
SURGE CAPACITY	GALLON	N/A	N/A	5,027
SEWER CAPACITY	GPM	REFER TO PLUMBING	REFER TO PLUMBING	REFER TO PLUMBING
DESIGN FILL RATE	GPM	128	64	35
DESIGN FILL TIME	HR	48	6	2
BATHER LOAD	PERSON	644	172	369
POOL WATER SURFACE ELEVATION	FEET			

- ### GENERAL POOL NOTES
1. DENOTES WATER DEPTH FROM WATER LEVEL.
 2. POOL FINISH SHALL BE AN EPOXY PAINT WITH VERTICAL TILE BAND AND DECK MARKINGS.
 3. ALL POOL FLOOR AREAS 3'-6" AND SHALLOWER AND ALL STAIR TREADS SHALL HAVE A SLIP RESISTANT FINISH.
 4. TYPICAL POOL DIMENSIONS SHOWN ARE FROM INSIDE FINISHED POOL WALL.
 5. REFER TO STRUCTURAL DRAWINGS FOR ALL DIMENSIONS RELATING TO THE THICKNESS OF THE POOL SHELL.
 6. THE JUNCTION BETWEEN THE SWIMMING POOL WALL AND THE FLOOR SHALL BE COVERED WITH A MAXIMUM 4" RADII.
 7. DEPTH MARKERS AND WARNING SIGNS ARE SHOWN IN APPROXIMATE LOCATIONS. DEPTH MARKERS AND WARNING SIGNS SHALL NOT EXCEED 25'-0" APART FROM EACH OTHER, AND SHALL BE PLACED AT EVEN FOOT INTERVALS PER LOCAL CODE.
 8. ALL PROPRIETARY NAMES MENTIONED ARE TO DESIGNATE PERFORMANCE STANDARDS. EQUIVALENT PRODUCTS SHALL BE SUBMITTED FOR APPROVAL.
 9. SLIP RESISTANT DECK FINISH REQUIRED. REFER TO ARCHITECT.
 10. REFER TO PLUMBING FOR DECK DRAINS AND HOSE BIBBS.
 11. ALL SURFACE WATER SHALL DRAIN AWAY FROM THE POOL.
 12. REFER TO ELECTRICAL FOR GFI OUTLETS ON POOL DECK.
 13. ELECTRICAL INSPECTOR SHALL APPROVE INSTALLATION OF BONDING GRID FOR POOL REINFORCING AND ALL POOL EMBEDS PRIOR TO PLACEMENT OF CONCRETE.
 14. NO GROUND WATER SHALL BE ALLOWED TO RISE ABOVE ANY PORTION OF THE POOL BOTTOM DURING CONSTRUCTION.
 15. ALL METALLIC PORTIONS OF PLAY FEATURES SHALL BE EPOXY COATED STAINLESS STEEL.
 16. ALL POOL REINFORCING STEEL, METAL FITTINGS, EQUIPMENT WITHIN 5'-0" OF POOL EDGE, AND ANY METAL PARTS OF POOL EQUIPMENT IN CONTACT WITH POOL RECIRCULATION SYSTEM SHALL BE BONDED PER NEC 680. REFER.

- ### GENERAL SPRAYGROUND NOTES
1. DENOTES SPRAYGROUND SLAB ELEVATION FROM DECK LEVEL.
 2. SPRAYGROUND FINISH SHALL BE MEDIUM BROOM FINISHED CONCRETE.
 3. ALL PROPRIETARY NAMES MENTIONED ARE TO DESIGNATE PERFORMANCE STANDARDS EQUIVALENT PRODUCTS SHALL BE SUBMITTED FOR APPROVAL.
 4. REFER TO SITE LAYOUT PLAN FOR CONCRETE WALKWAY LAYOUTS.
 5. REFER TO UTILITY PLAN FOR DECK DRAINS & HOSE BIBBS LOCATIONS.
 6. ALL SURFACE WATER WITHIN THE SPRAYGROUND FOOTPRINT SHALL DRAIN TOWARD MAIN DRAIN.
 7. ELECTRICAL INSPECTOR SHALL APPROVE BONDING OF REINFORCING, SPRAYGROUND FITTINGS AND CONDUIT PRIOR TO THE APPROVAL OF REINFORCING STEEL FOR POURING OF CONCRETE.
 8. ALL METALLIC PORTIONS OF A SPRAY FEATURE SHALL BE EPOXY COATED STAINLESS STEEL.
 9. ALL POOL REINFORCING STEEL, METAL FITTINGS, EQUIPMENT WITHIN 5'-0" OF POOL EDGE, AND ANY METAL PARTS OF POOL EQUIPMENT IN CONTACT WITH POOL RECIRCULATION SYSTEM SHALL BE BONDED PER NEC 680 REFER.

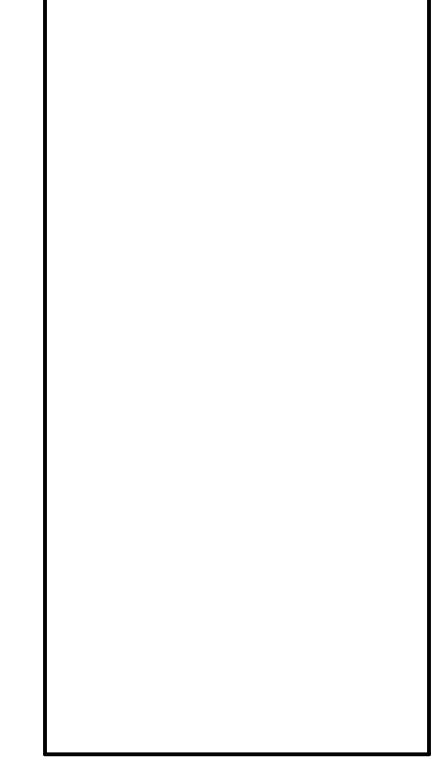
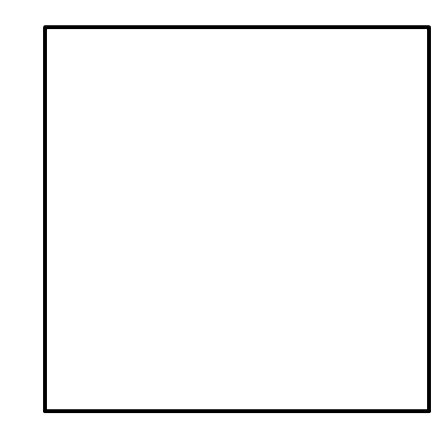
DRAWING INDEX

SHEET	DESCRIPTION
AQ0.0	POOL REFERENCE PLAN
AQ1.0	LEISURE POOL PLAN
AQ1.1	LEISURE POOL SECTIONS
AQ1.2	LEISURE POOL DETAILS
AQ1.3	LEISURE POOL DETAILS
AQ1.4	LEISURE POOL DETAILS
AQ2.0	WADING POOL PLAN & SECTION
AQ2.1	WADING POOL DETAILS
AQ3.0	SPRAYGROUND PLAN
AQ3.1	SPRAYGROUND DETAILS
AQ6.0	POOL MECHANICAL ROOM PLAN
AQ6.1	POOL MECHANICAL SECTIONS
AQ6.2	BALANCE TANK PLAN & SECTIONS
AQ6.3	POOL MECHANICAL DETAILS
AQ6.4	POOL MECHANICAL DETAILS
AQ6.5	POOL MECHANICAL DETAILS
AQ7.0	POOL SYSTEMS SCHEMATIC
AQ7.1	POOL SYSTEMS SCHEMATICS

1
AQ0.0
POOL REFERENCE PLAN
1/8" = 1'-0"



KIMMEL BOGRETTE
Architecture + Site
 482 Norristown Road, Suite 200
 Blue Bell, PA 19422
 Phone: 610.634.7805
 Facsimile: 610.634.7815
 © COPYRIGHT 2020 KIMMEL BOGRETTE ARCHITECTURE + SITE, INC. ALL RIGHTS RESERVED.



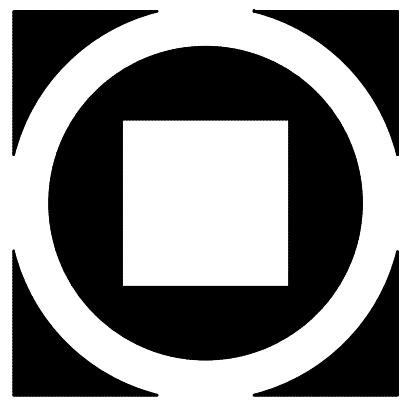
ROLLING HILLS PARK AQUATIC CENTER
PETERS TOWNSHIP
 610 EAST McMURRAY ROAD
 McMURRAY, PENNSYLVANIA

Construction Issue Date:
 Drawn By: NIK
 Checked By: MIM
 Scale: AS NOTED

Sheet Name: POOL REFERENCE PLAN

Revisions:	Progress Prints:
△	△
△	△
△	△
△	△

AQ0.0
 COUNSLMAN-HUNSAKER
 AQUATICS FOR LIFE
 ph: 314.894.1245 • www.chh2o.com

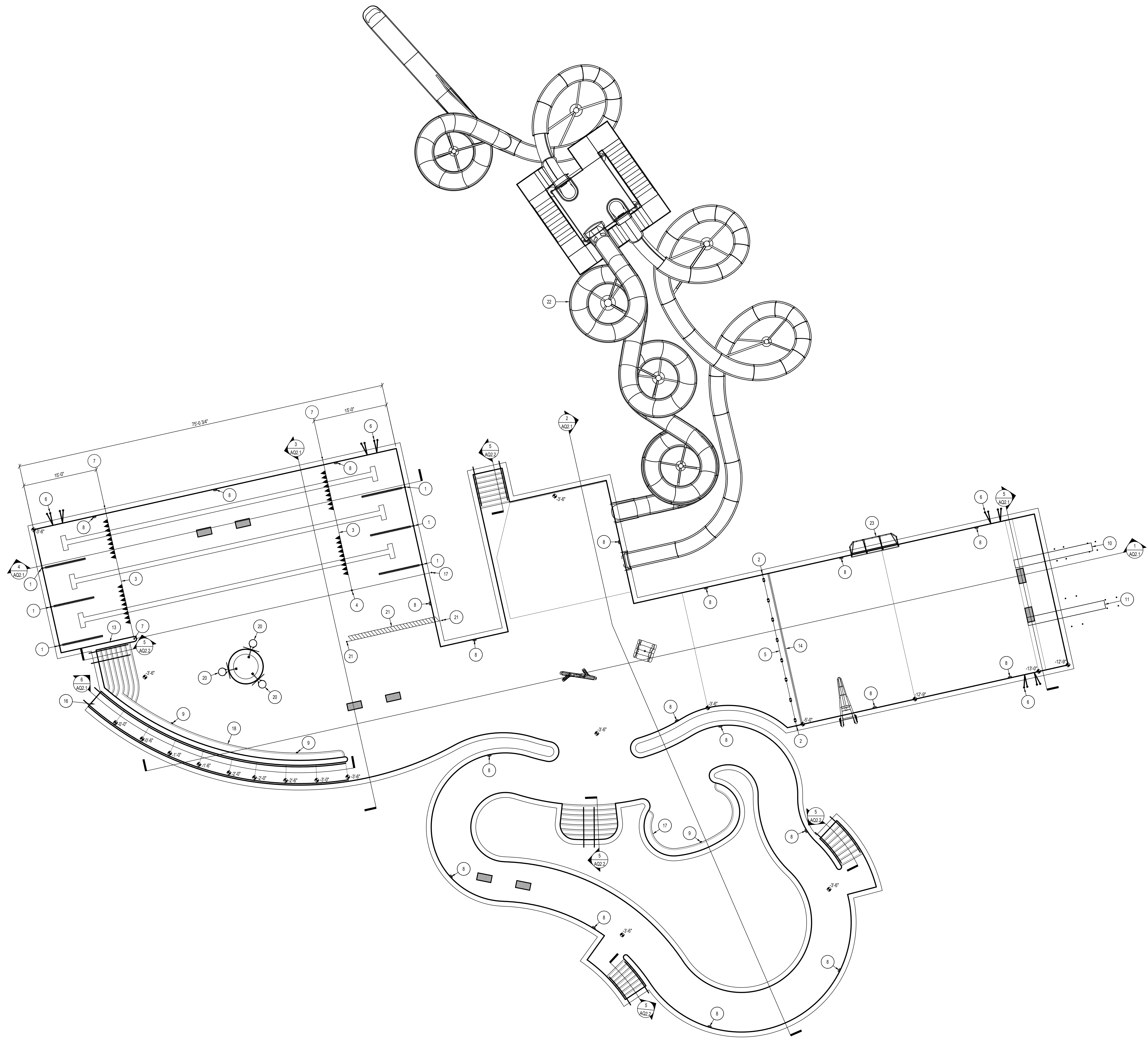


KIMMEL BOGRETTE
Architecture + Site
 Blue Bell, PA 19422
 482 Norris Road, Suite 200
 Phone: 610.634.7805
 Facsimile: 610.634.7815
 © COPYRIGHT 2020 KIMMEL BOGRETTE ARCHITECTURE + SITE, INC. ALL RIGHTS RESERVED

DEPTH & WARNING SIGNAGE SCHEDULE	
ID	SIGNAGE
A	0 FT 6 IN
B	2 FT 6 IN
C	3 FT 6 IN
D	5 FT 0 IN
E	7 FT 0 IN
F	9 FT 0 IN
G	11 FT 0 IN
H	12 FT 9 IN
J	13 FT 0 IN
Z	NO DIVING

NOTE:
 1. REFER V/S/P/L FOR DETAIL.
 2. "Z" DENOTES VERTICAL DEPTH MARKERS AND WARNING SIGNS ONLY.

POOL EQUIPMENT SCHEDULE	
ID	ITEM
1	LANE ROPE CUP ANCHOR REFER:
2	SAFETY ROPE CUP ANCHOR REFER:
3	BACKSTROKE PENNANT
4	BACKSTROKE FLAG CABLE CLAMP REFER:
5	SAFETY ROPE
6	GRAB RAILS & RECESSED STEPS REFER:
7	STANCHION POST & ANCHOR REFER:
8	UNDERWATER LIGHT REFER:
9	UNDERWATER LIGHT @ BENCH REFER:
10	ONE METER DIVING PLATFORM & MOUNT REFER:
11	THREE METER DIVING PLATFORM & MOUNT REFER:
12	POOL LIFT & ANCHOR REFER:
13	WING WALL REFER:
14	4" CONTRASTING TILE BAND COLOR BY ARCHITECT
15	WALL TARGET REFER:
16	RAMP ENTRY REFER:
17	UNDERWATER BENCH REFER:
18	HYDROTHERAPY BENCH REFER:
19	POOL COVE REFER:
20	WATER BASKETBALL GOAL REFER:
21	WATER VOLLEYBALL STANCHION POST & ANCHOR REFER:
22	WATERSLIDE REFER:
23	CLIMBING WALL REFER:
24	AQUA ZIP FEATURE REFER:
25	PORTABLE LIFE GUARD CHAIR



1 LEISURE POOL PLAN
 AQ1.0 1/8" = 1'-0"

ROLLING HILLS PARK AQUATIC CENTER
 PETERS TOWNSHIP
 610 EAST MCMURRAY ROAD
 MCMURRAY, PENNSYLVANIA

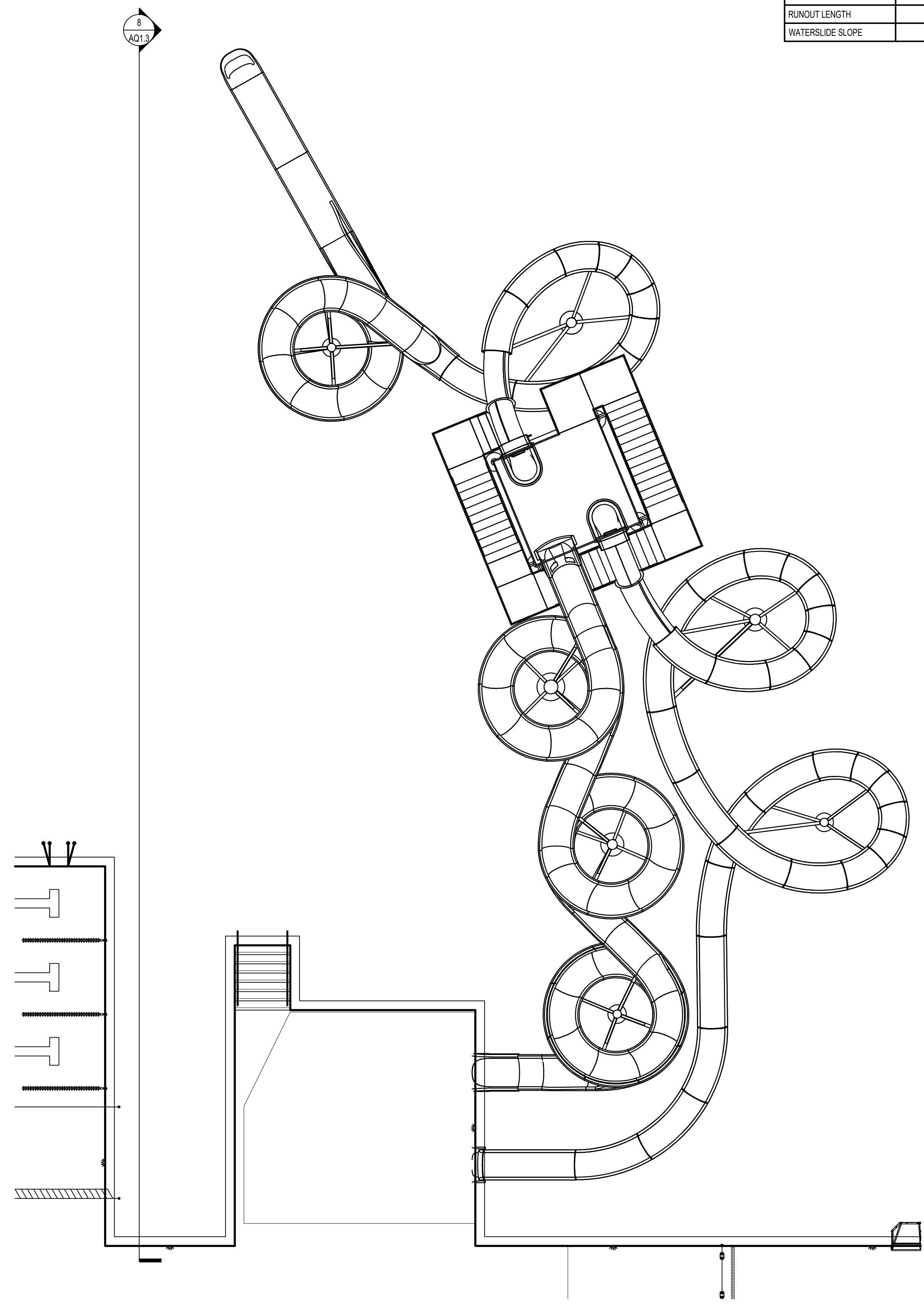
Construction Issue Date:
 Drawn By: NIK
 Checked By: MJM
 Scale: AS NOTED

Sheet Name:	Revisions:
LEISURE POOL PLAN	
Progress Prints:	△
	△
	△
	△

AQI.0

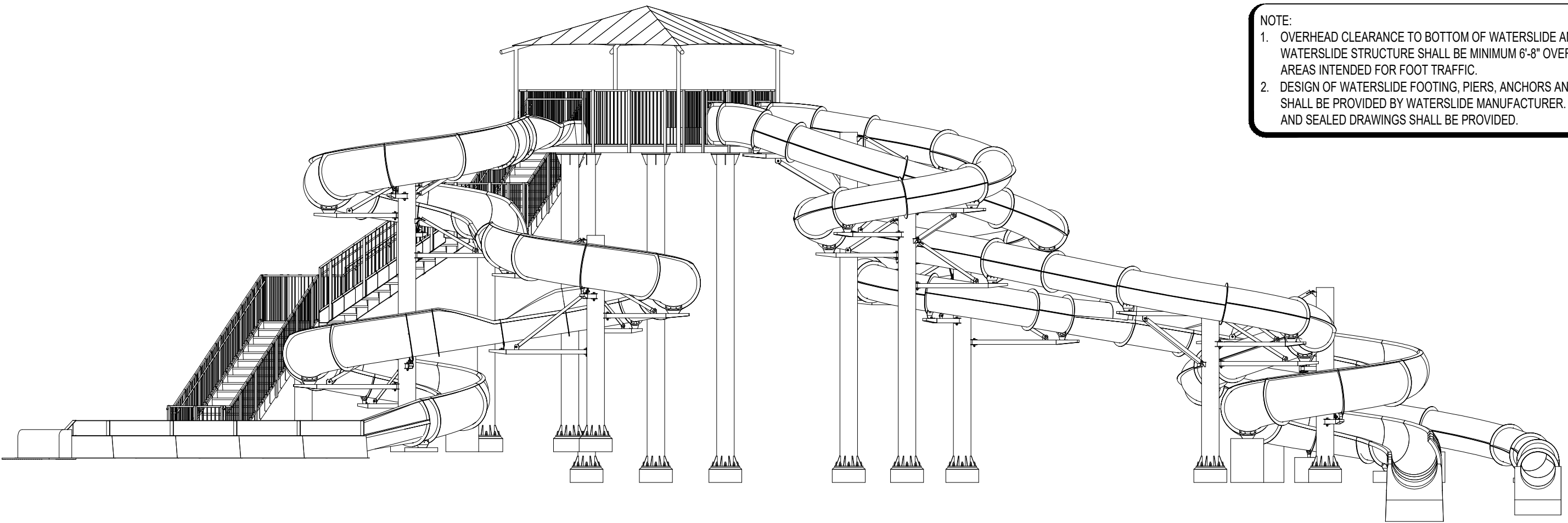


COUNSILMAN-HUNSAKER
 AQUATICS FOR LIFE
 ph: 314.894.1245 • www.chh2o.com



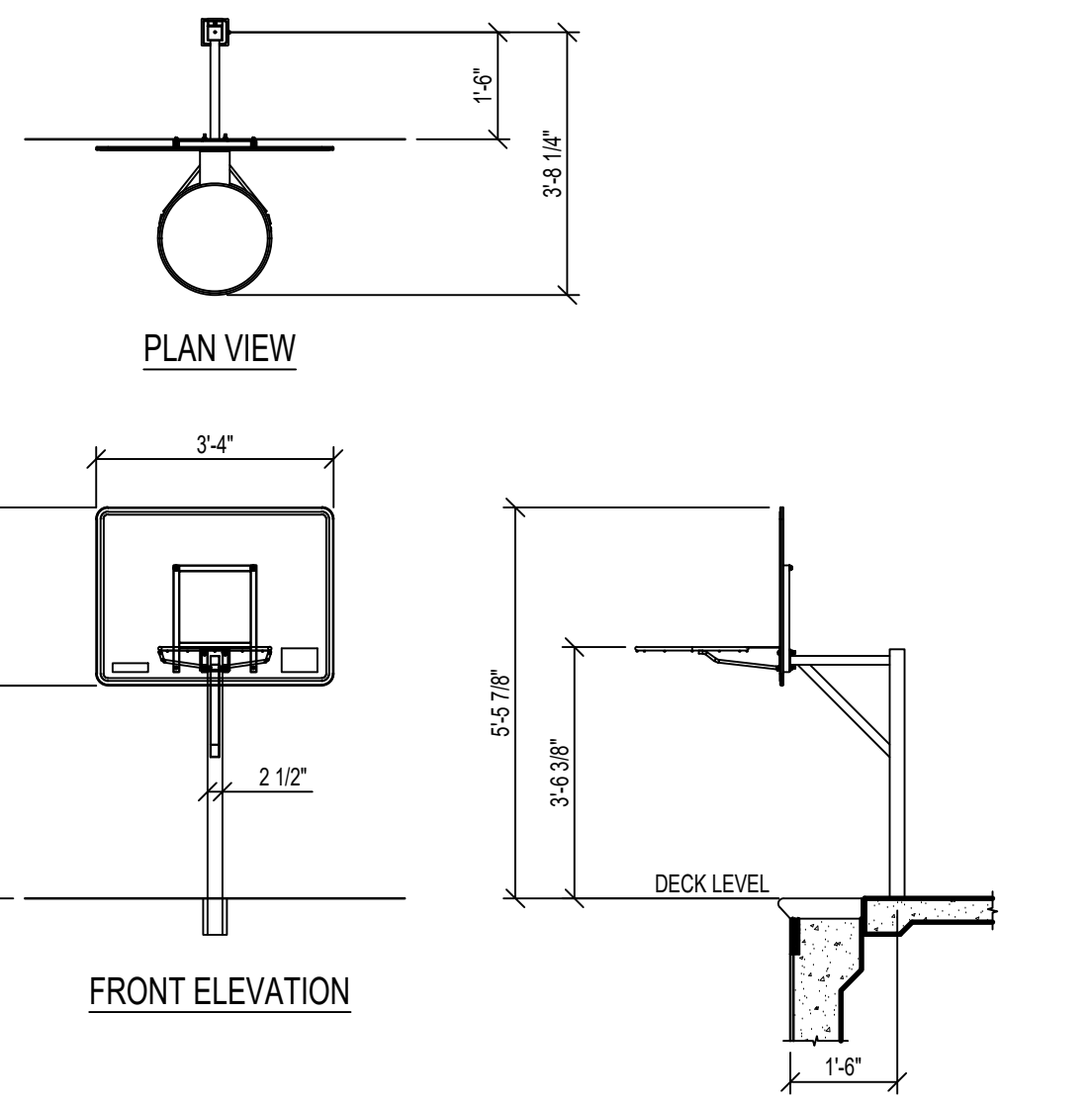
WATERSLIDE DESIGN DATA			
POOL	WATERSLIDE "A"	WATERSLIDE "B"	RUNOUT (ALTERNATE)

7 WATERSLIDE PLAN
AQ1.3 1/8" = 1'-0"

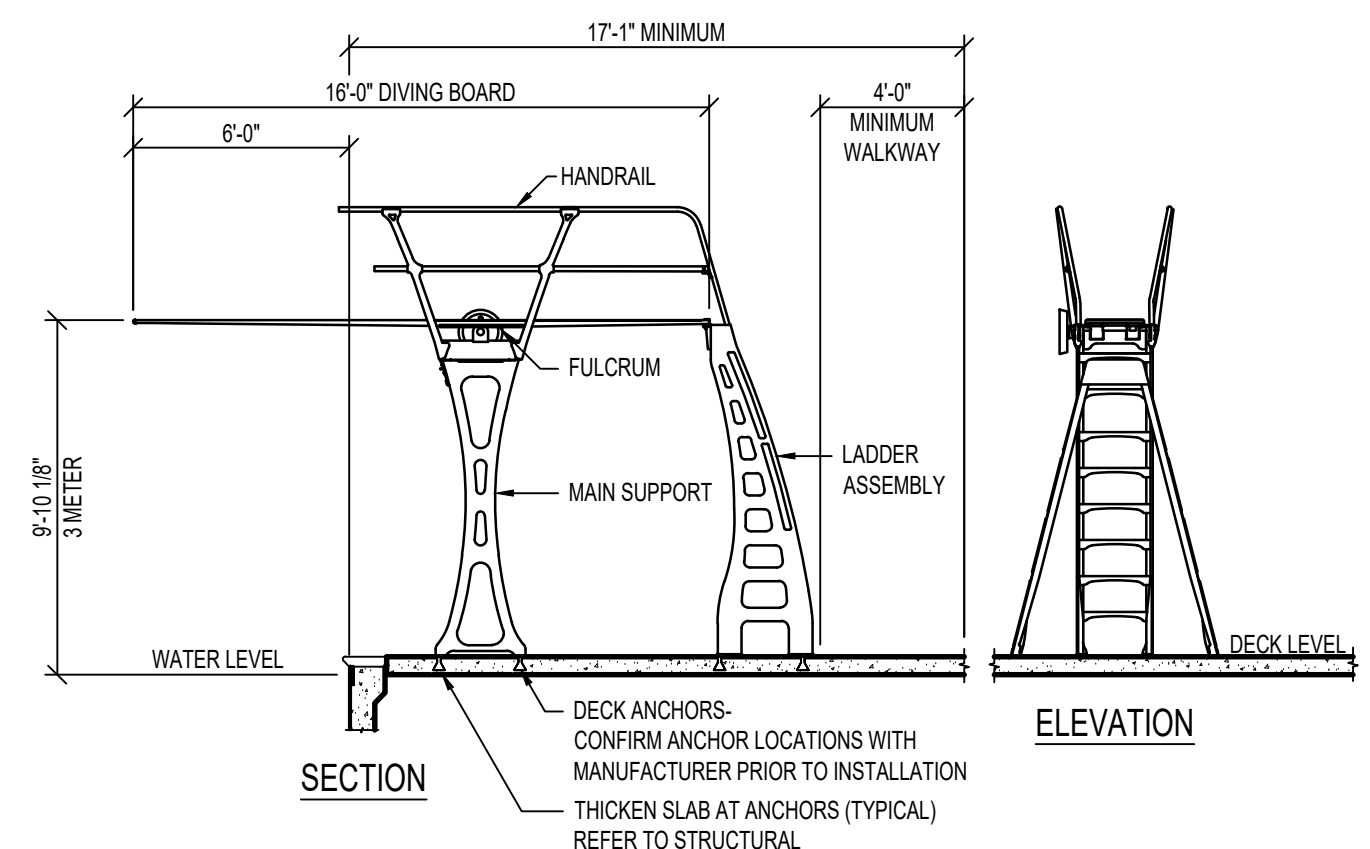


8 WATERSLIDE SECTION
AQ1.3 1/8" = 1'-0"

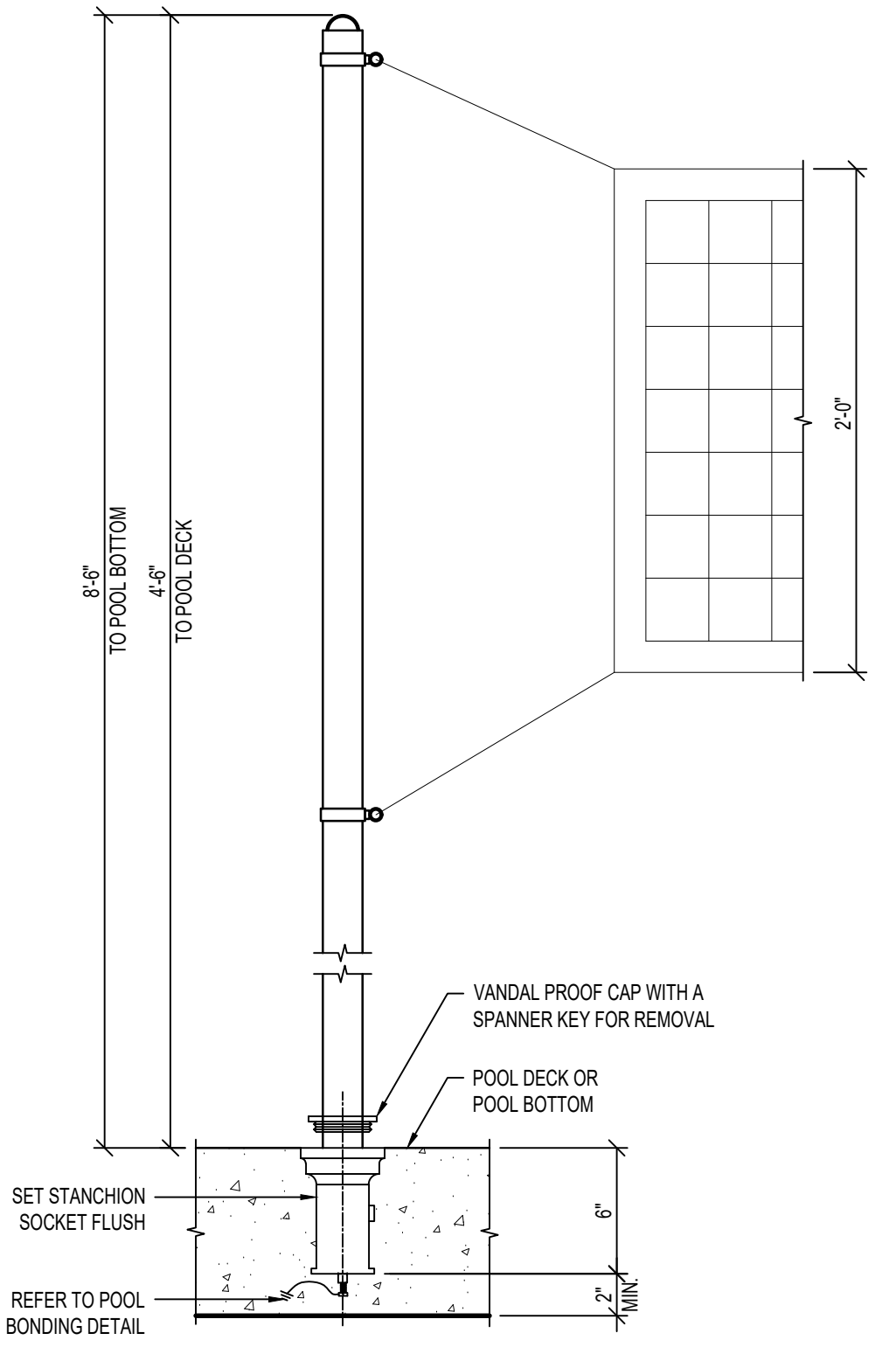
NOTE:
1. OVERHEAD CLEARANCE TO BOTTOM OF WATERSLIDE AND WATERSLIDE STRUCTURE SHALL BE MINIMUM 8'-0" OVER ALL DECK AREAS INTENDED FOR FOOT TRAFFIC.
2. DESIGN OF WATERSLIDE FOOTING, PIERS, ANCHORS AND SPACING SHALL BE PROVIDED BY WATERSLIDE MANUFACTURER. CALCULATIONS AND SEALED DRAWINGS SHALL BE PROVIDED.



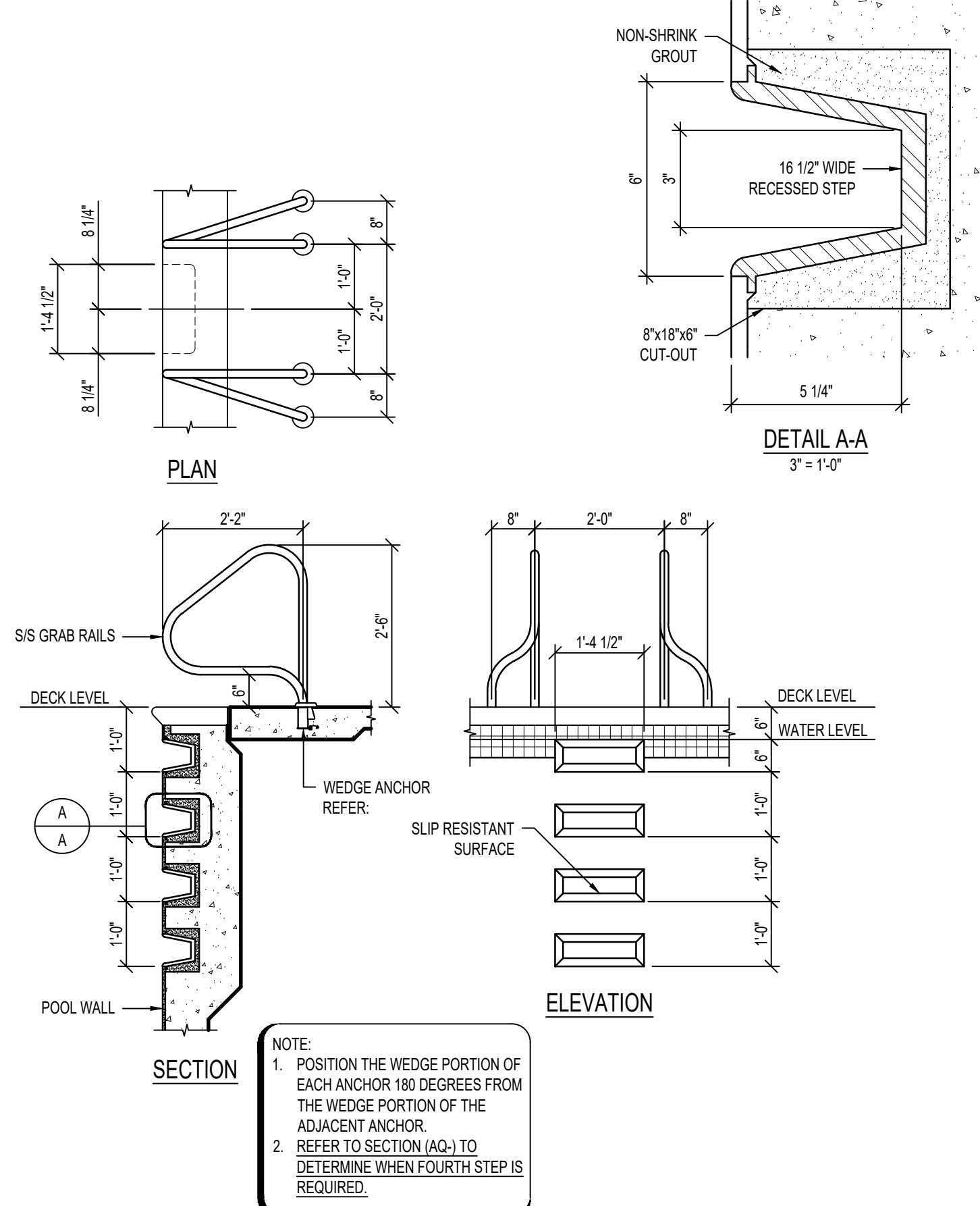
4 WATER BASKETBALL GOAL
AQ1.3 3/8" = 1'-0"



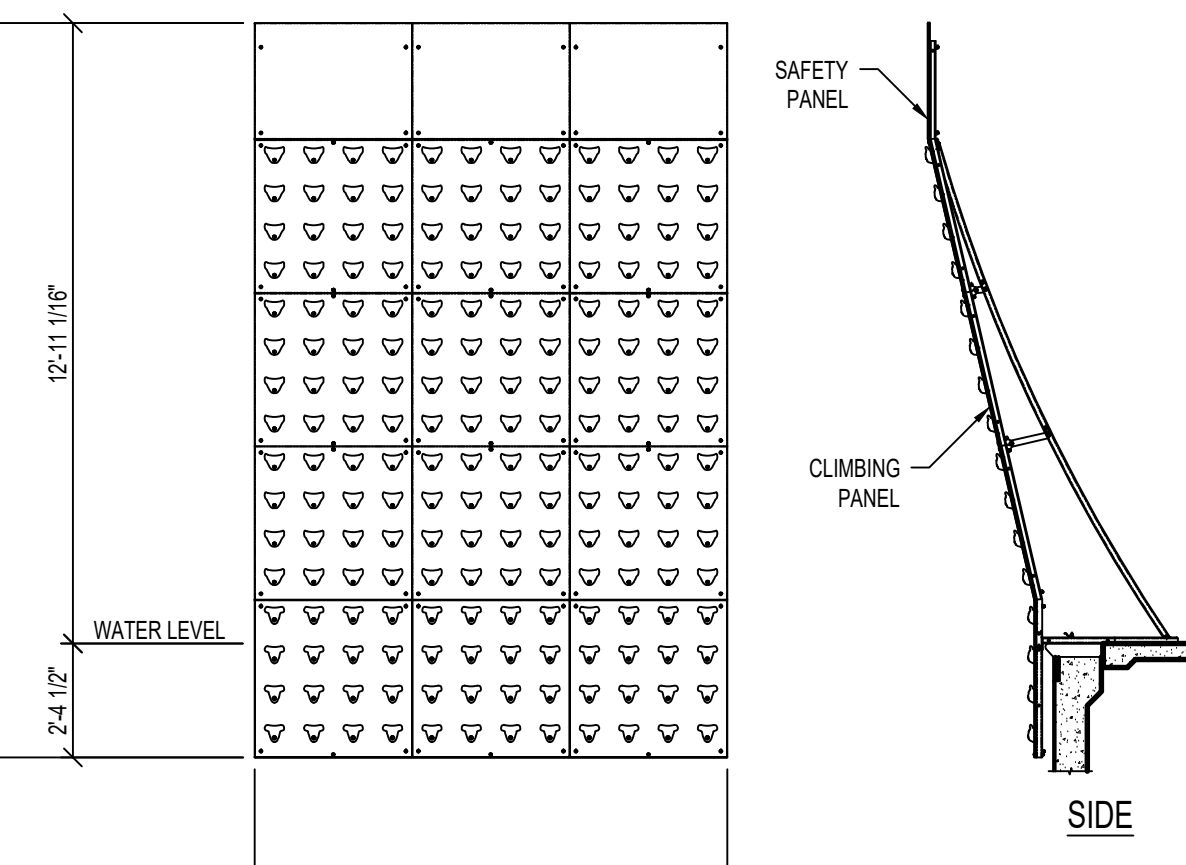
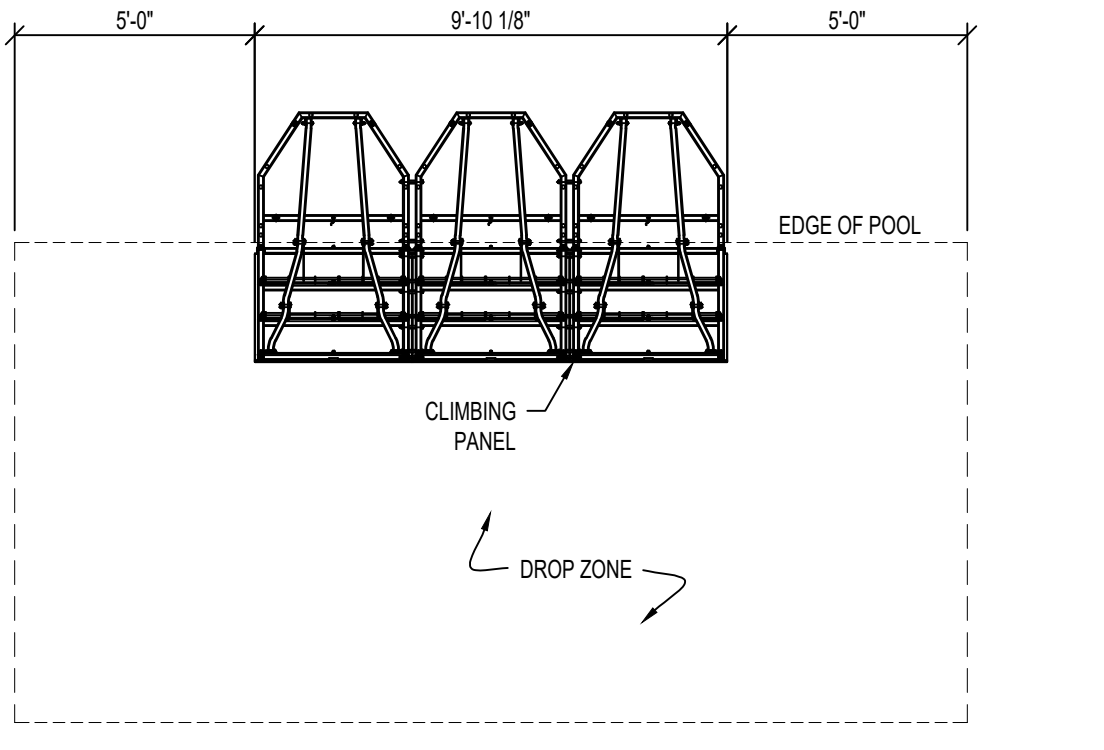
1 THREE METER DIVING STAND
AQ1.3 3/16" = 1'-0"



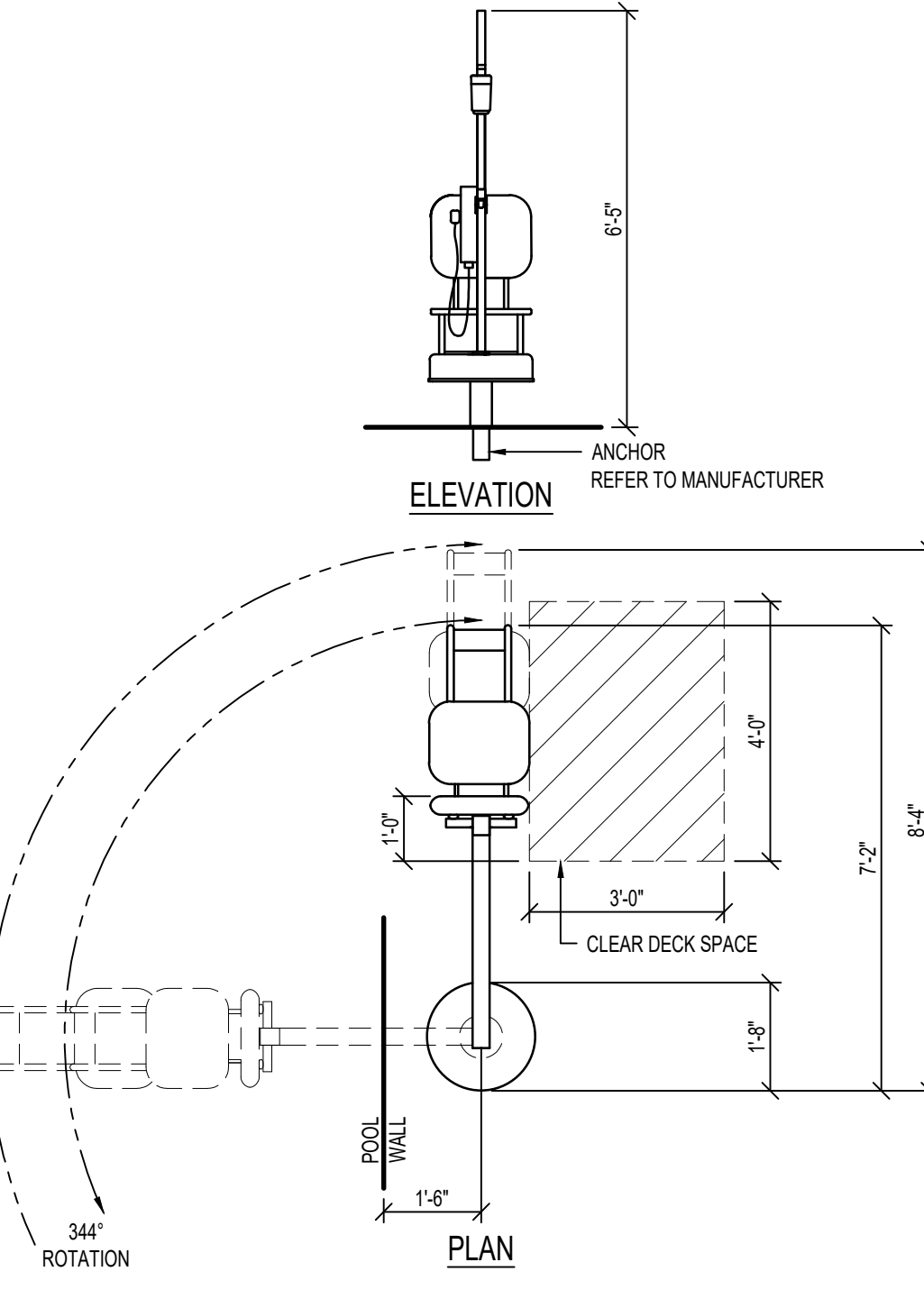
5 WATER VOLLEYBALL STANCHION POST AND ANCHOR
AQ1.3 1 1/2" = 1'-0"



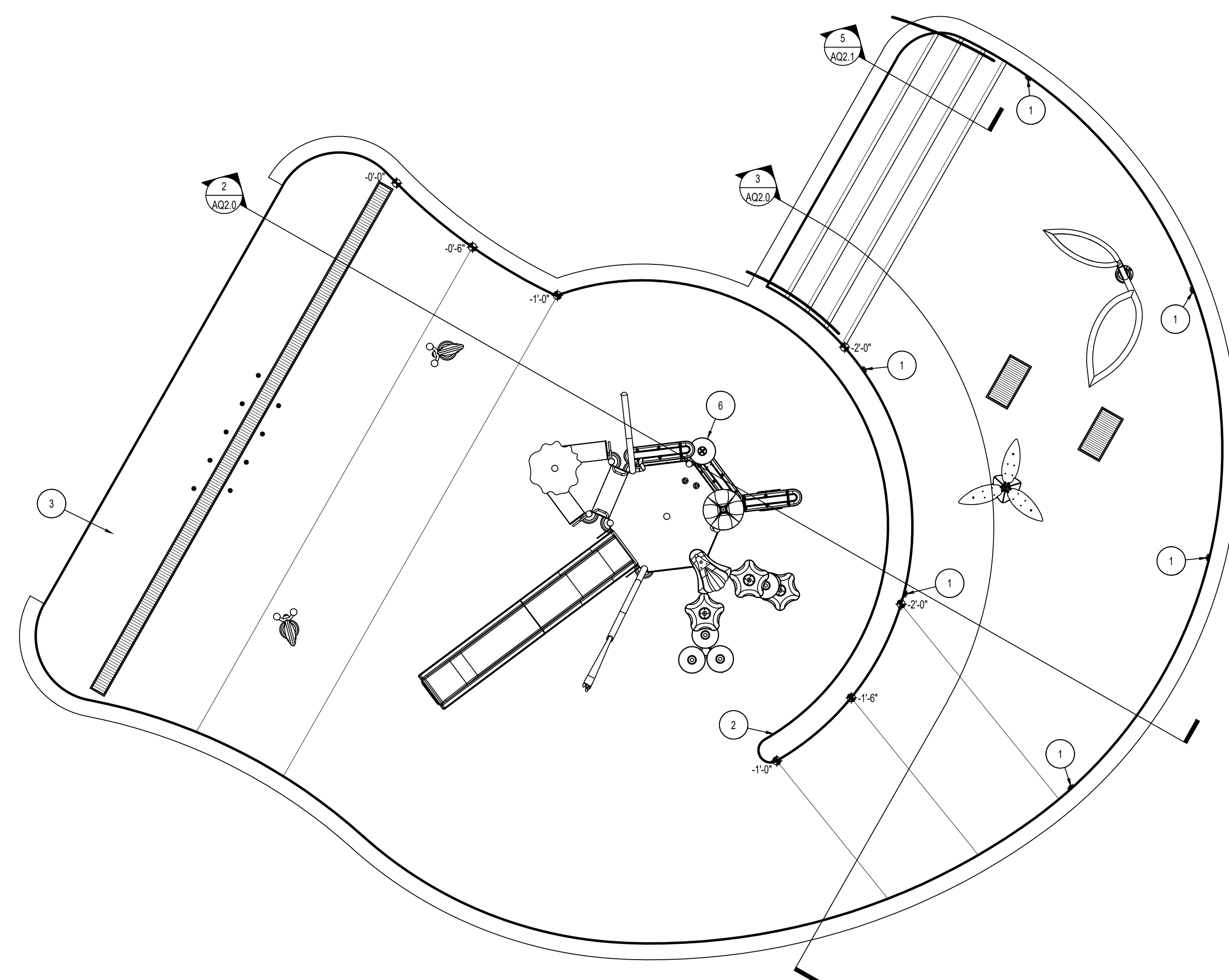
2 GRAB RAILS & RECESSED STEPS
AQ1.3 1/2" = 1'-0"



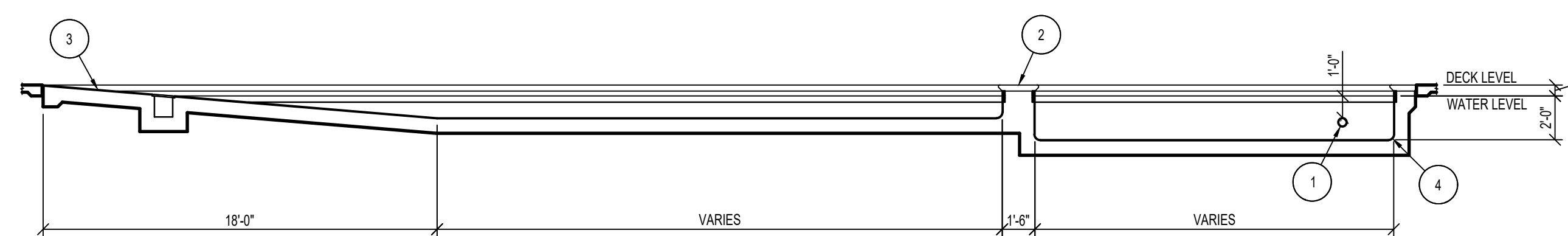
6 ELEVATION CLIMBING WALL
AQ1.3 1/4" = 1'-0"



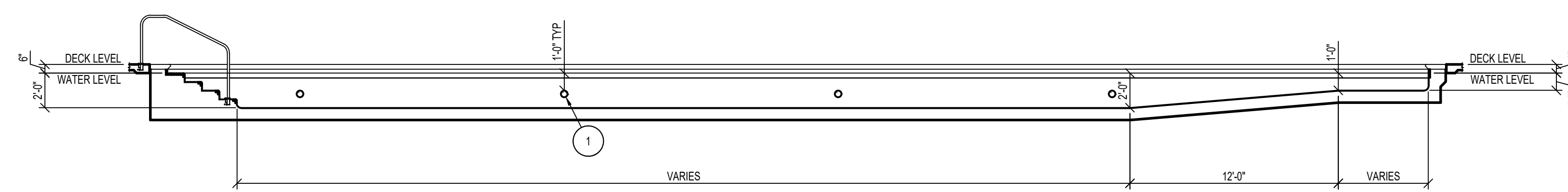
3 POOL LIFT
AQ1.3 3/8" = 1'-0"



1 WADING POOL PLAN
AQ2.0 3/16" = 1'-0"



2 WADING POOL SECTION
AQ2.0 3/16" = 1'-0"

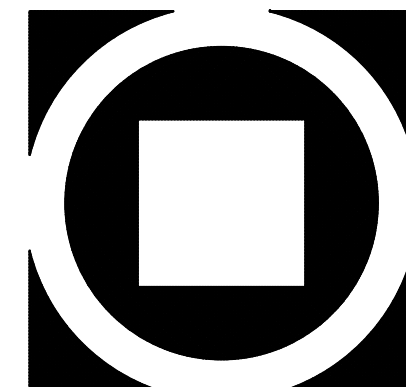


3 WADING POOL SECTION
AQ2.0 3/16" = 1'-0"

DEPTH & WARNING SIGNAGE SCHEDULE	
ID	SIGNAGE
A	0 FT 0 IN
B	1 FT 0 IN
C	2 FT 0 IN
Z	NO DIVING

POOL EQUIPMENT SCHEDULE	
ID	ITEM
1	UNDERWATER LIGHT REFER:
2	WING WALL REFER:
3	ZERO ENTRY REFER:
4	POOL COVE REFER:
5	PLAY STRUCTURE REFER:
6	PORTABLE LIFEGUARD CHAIR

NOTE:
1. REFER XREF.X FOR DETAIL.
2. "Z" DENOTES VERTICAL DEPTH MARKERS AND WARNING SIGNS ONLY.



KIMMEL BOGRETTE
Architecture + Site
Blue Bell, PA 19422
482 Norris Road, Suite 200
Phone: 610.834.7805
Facsimile: 610.834.7815
© COPYRIGHT 2020 KIMMEL BOGRETTE ARCHITECTURE + SITE, INC. ALL RIGHTS RESERVED.

ROLLING HILLS PARK AQUATIC CENTER
PETERS TOWNSHIP
610 EAST MCMURRAY ROAD
MCMURRAY, PENNSYLVANIA

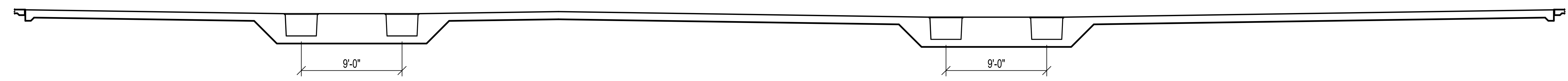
Construction Issue Date:
Drawn By: NIK
Checked By: MJM
Scale: AS NOTED

Sheet Name:	WADING POOL PLAN & SECTIONS
Progress Prints:	△
Revisions:	△
	△
	△
	△

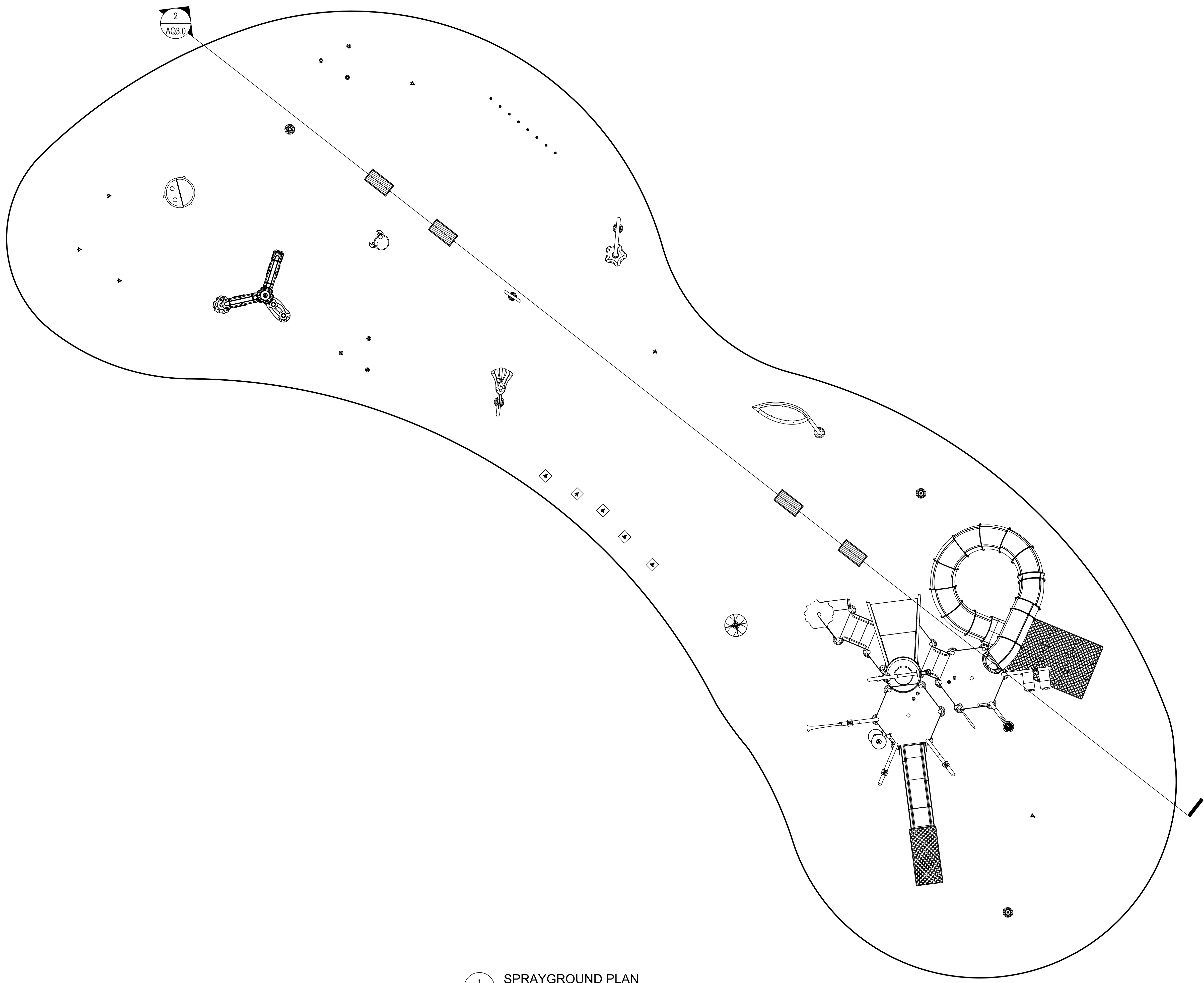


COUNSIMAN HUNSAKER
AQUATICS FOR LIFE
PH: 314.894.1245 • WWW.CH20.COM

AQ2.0



2
AQ3.0
SPRAYGROUND SECTION
3/16" = 1'-0"



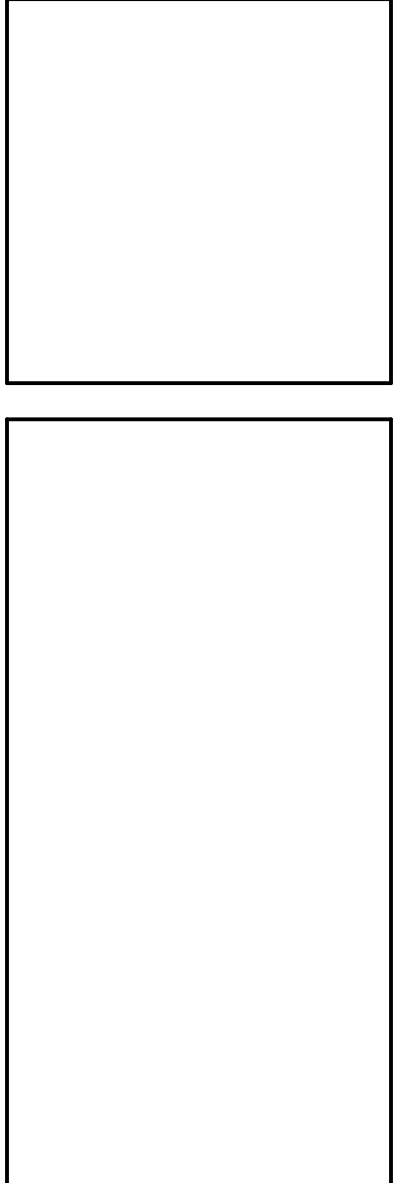
1
AQ3.0
SPRAYGROUND PLAN
3/16" = 1'-0"

SPRAYGROUND EQUIPMENT	
ID	ITEM
1	

Sheet Name: SPRAYGROUND PLAN
Progress Prints:
Revisions:

Construction Issue Date:
Drawn By: NRK
Checked By: MJM
Scale: AS NOTED

ROLLING HILLS PARK AQUATIC CENTER
PETERS TOWNSHIP
610 EAST MCMURRAY ROAD
MCMURRAY, PENNSYLVANIA



KIMMEL BOGRETTE
Architecture + Site
Blue Bell, PA 19422
482 Norris Road, Suite 200
Phone: 610.634.7605
Facsimile: 610.634.7615
© COPYRIGHT 2020 KIMMEL BOGRETTE ARCHITECTURE + SITE, INC. ALL RIGHTS RESERVED



AQ3.0