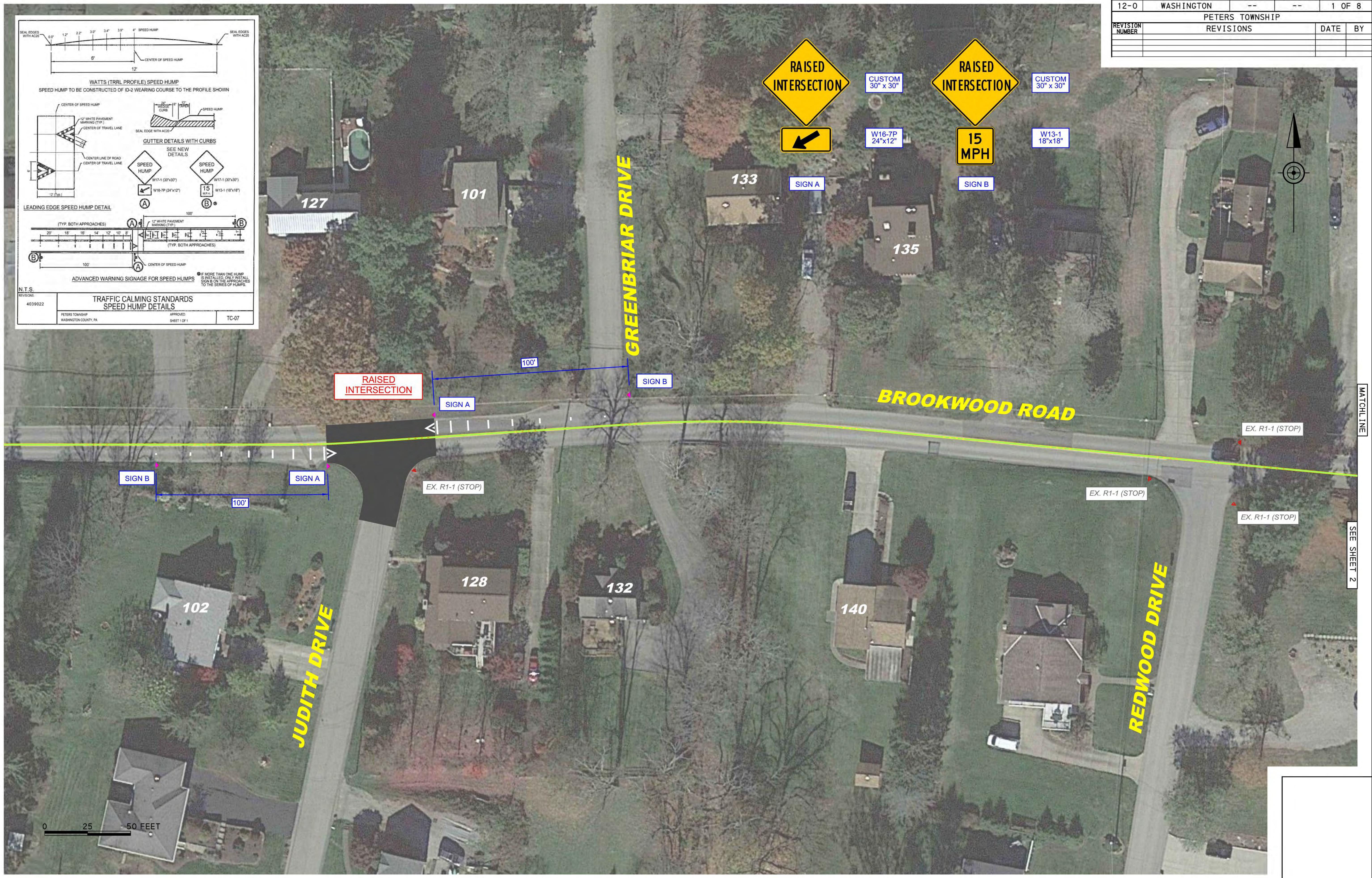
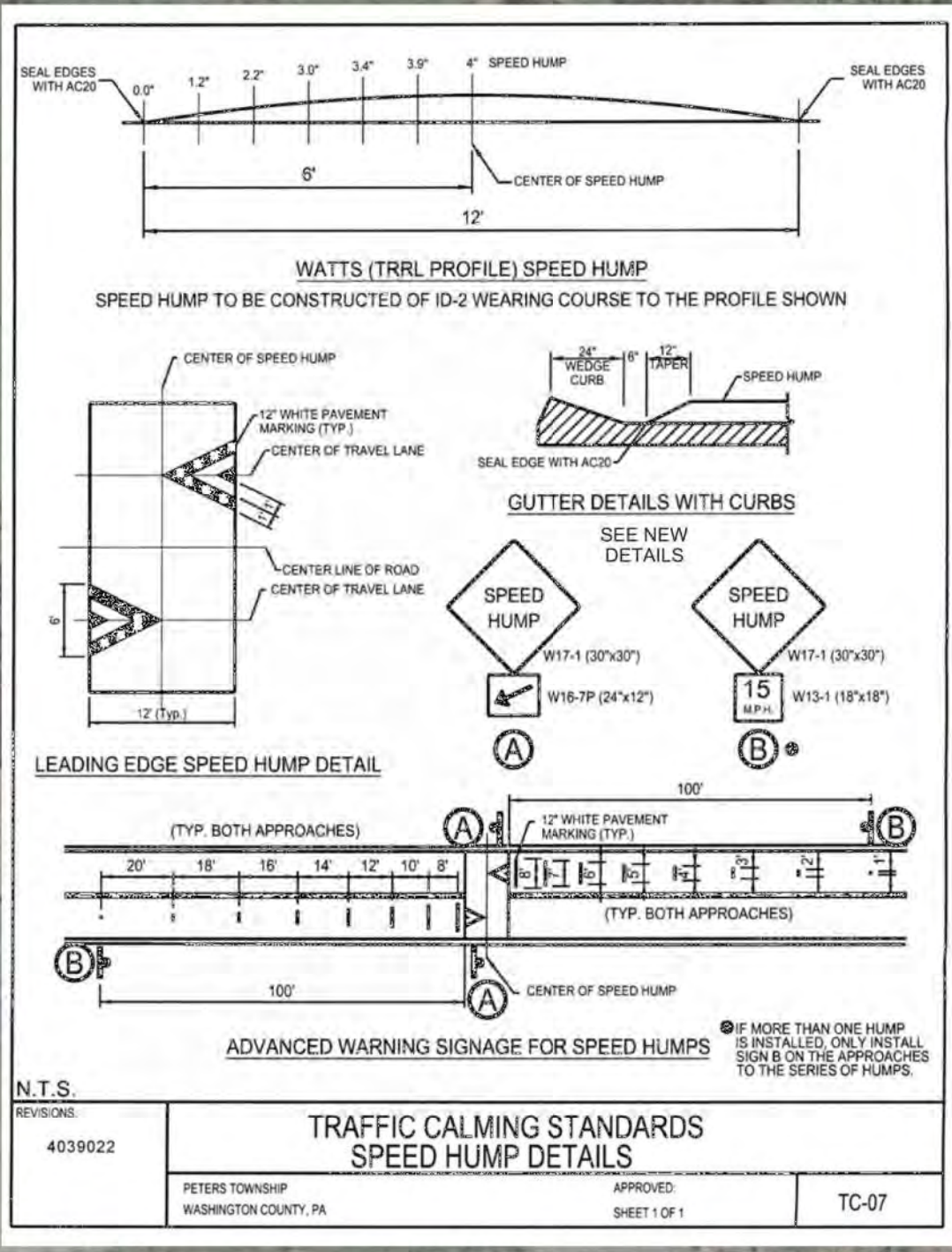


DISTRICT	COUNTY	ROUTE	SECTION	SHEET
12-0	WASHINGTON	--	--	1 OF 8
PETERS TOWNSHIP				
REVISION NUMBER	REVISIONS	DATE	BY	

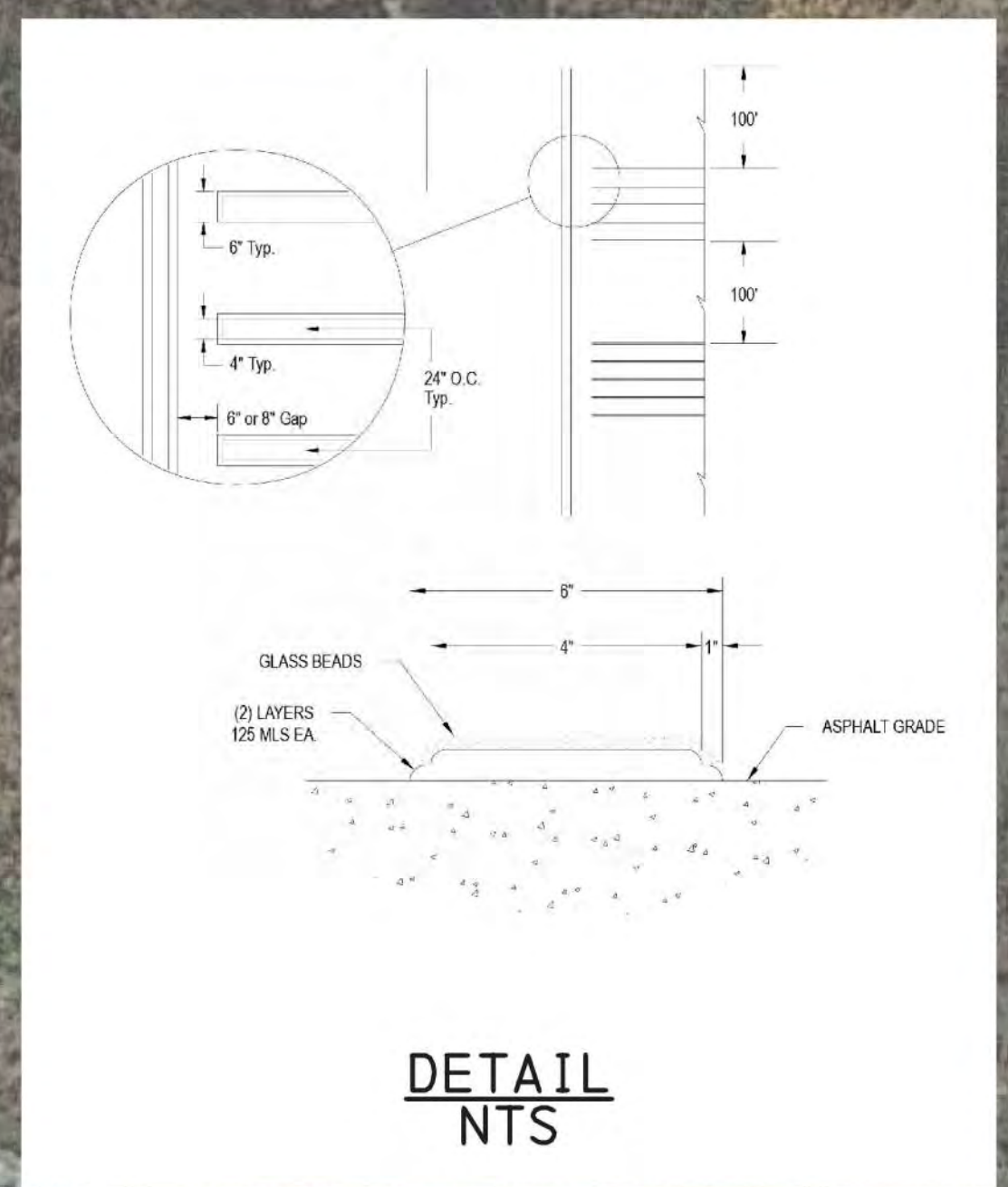
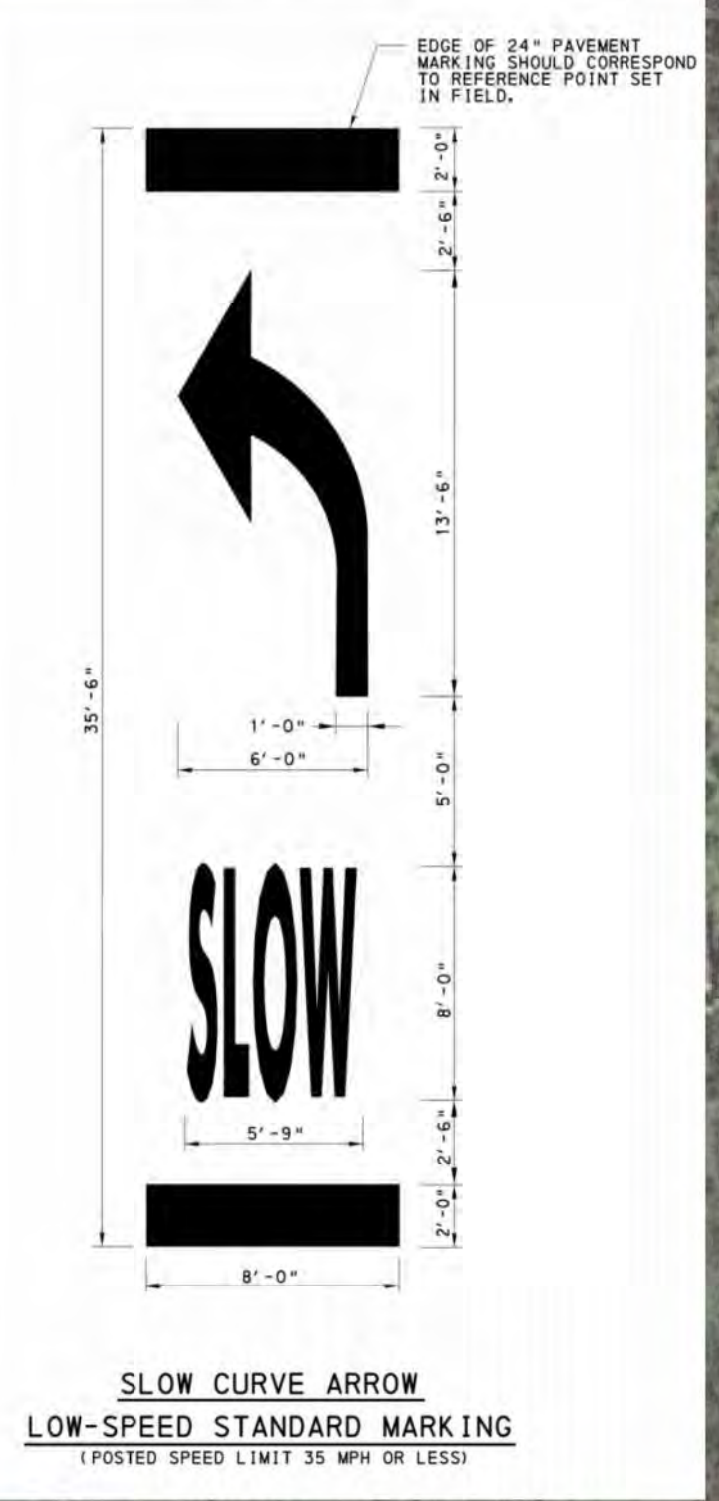
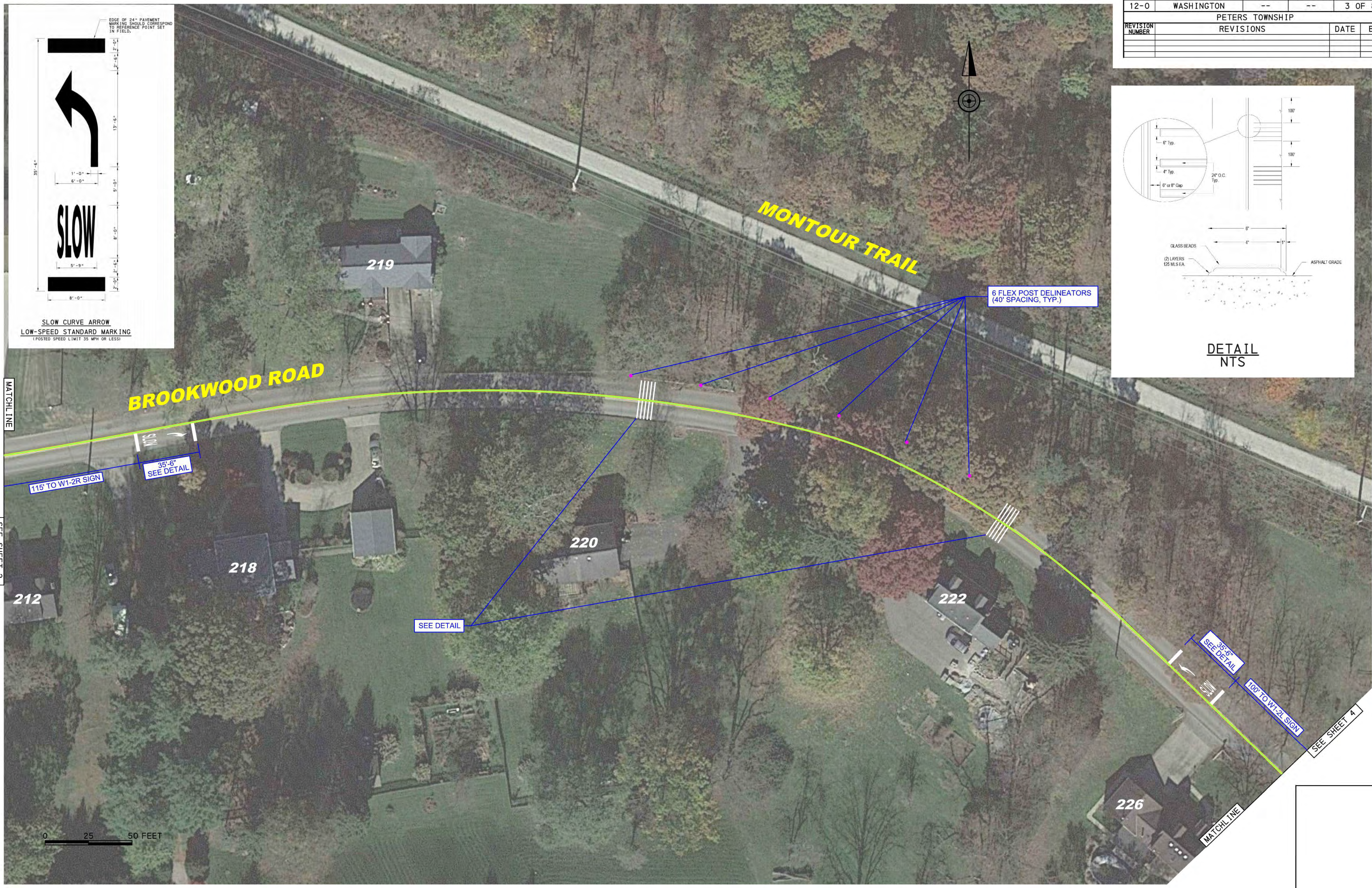


pw \\tpc-pw-bentley.com\TPD\Proj\active\Documents\1\VA\PTOM\00137 - Brookwood Traffic Calming\CADD (ORD) PA S NOP 2022B3\Concept\1\an\concept plan 02.dgn
 11/2/2023 4:20:15 PM 11:25:0001 j_matheresbaugh

0 25 50 FEET

MATCH LINE SEE SHEET 2

DISTRICT	COUNTY	ROUTE	SECTION	SHEET
12-0	WASHINGTON	--	--	3 OF 8
PETERS TOWNSHIP				
REVISION NUMBER	REVISIONS	DATE	BY	



pw \\tpc-pw-bentley.com\TPO\Proj\active\Documents\Victiva\PTOM\00137 - Brookwood Traffic Calming\CADD (ORD PA S HOP 2022B3) \Concept\2023-10-11 Aer\1.d and Sheet Layout\Plan\concept plan 04b.dgn
 11/3/2023 10:02:24 AM 1:300.001 [m]theersbaugh

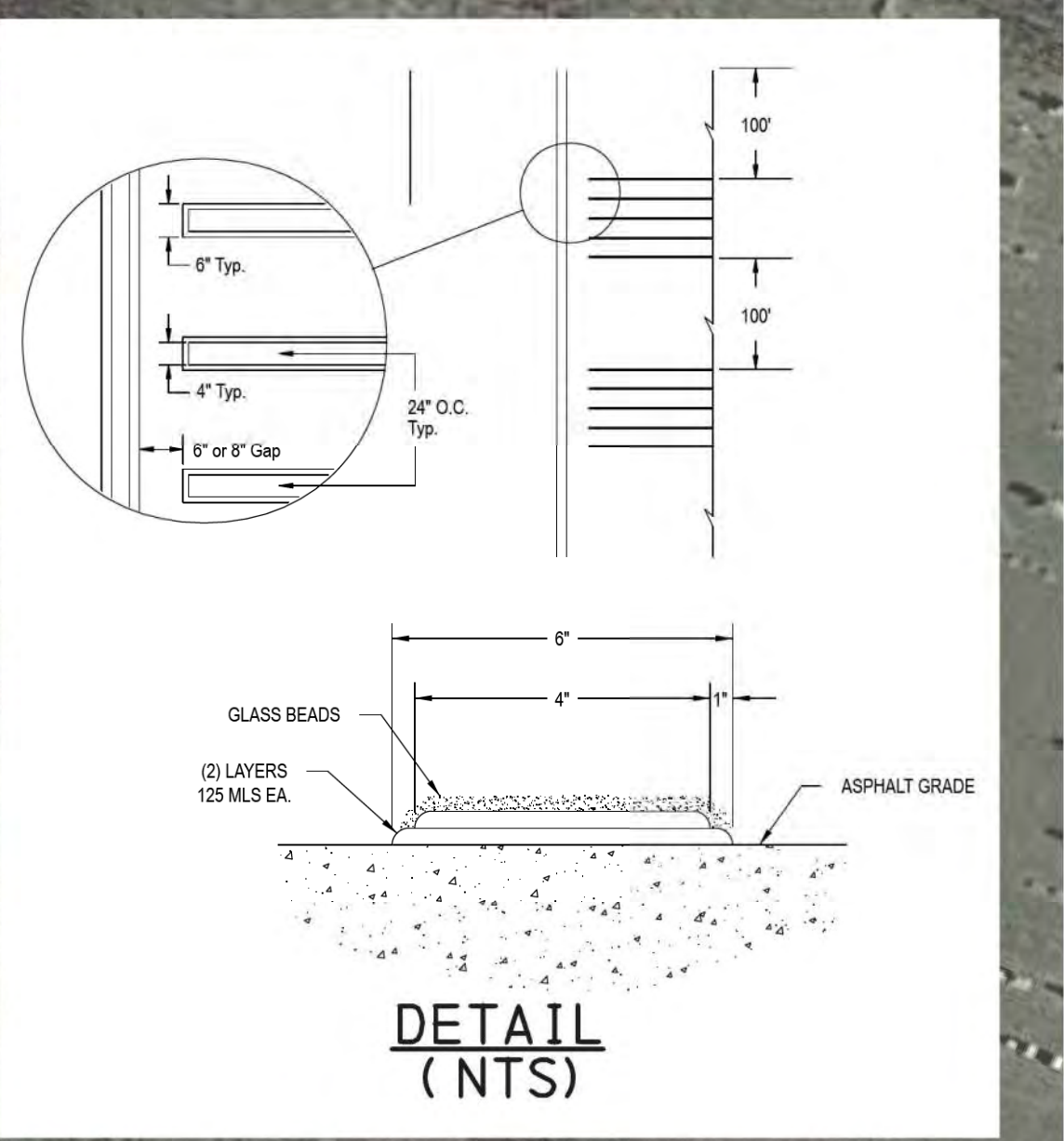
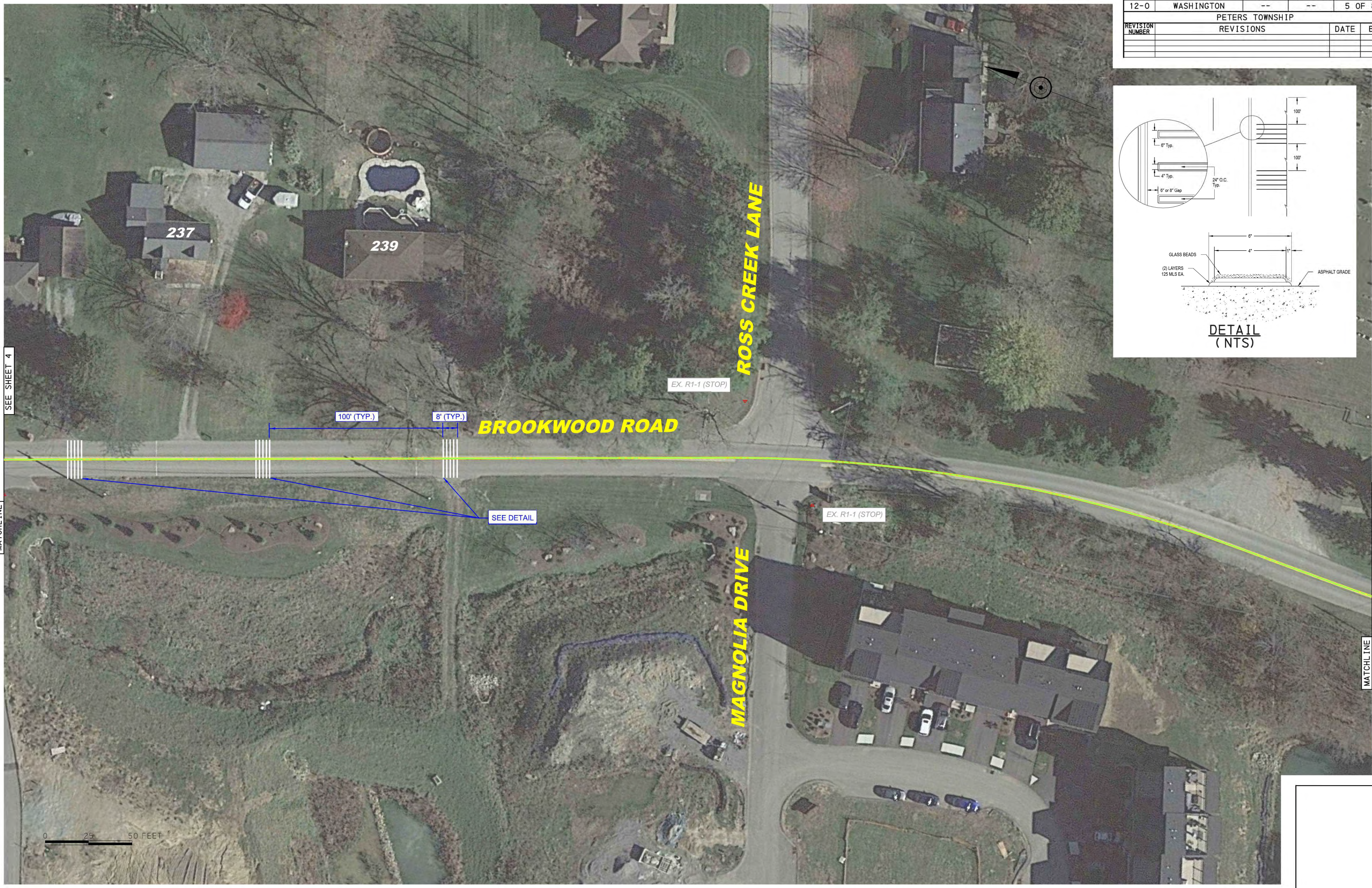
MATCHLINE

SEE SHEET 2

SEE SHEET 4

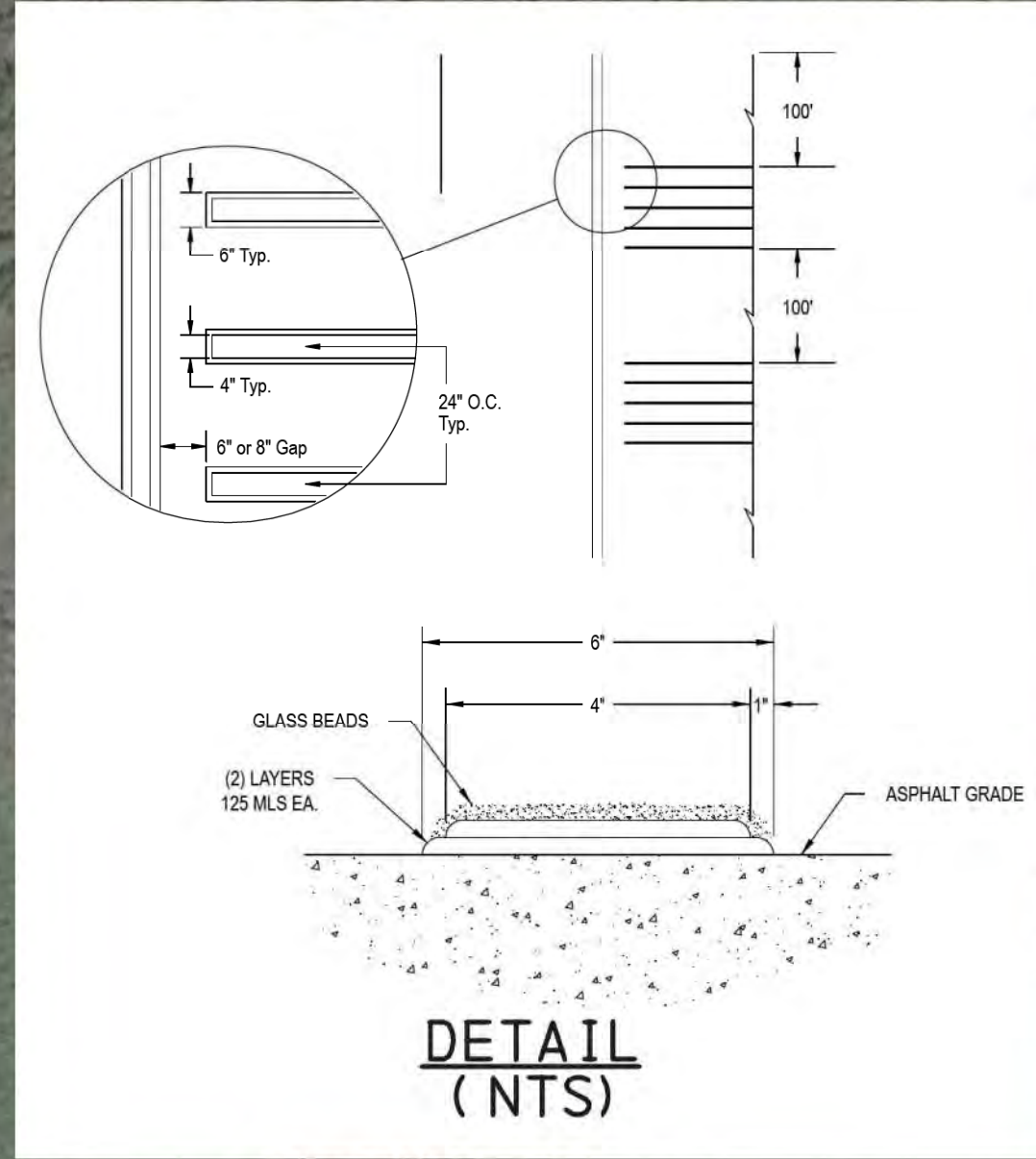
0 25 50 FEET

DISTRICT	COUNTY	ROUTE	SECTION	SHEET
12-0	WASHINGTON	--	--	5 OF 8
PETERS TOWNSHIP				
REVISION NUMBER	REVISIONS	DATE	BY	



pw \\tpc-pw-bentley.com\TPD\Projects\2023\11-13-2023\10-11 Aer\1.dwg and Sheet Layout\Plan\concept plan 06.dgn
 11/13/2023 10:16:39 AM 1:299,999

DISTRICT	COUNTY	ROUTE	SECTION	SHEET
12-0	WASHINGTON	--	--	7 OF 8
PETERS TOWNSHIP				
REVISION NUMBER	REVISIONS	DATE	BY	

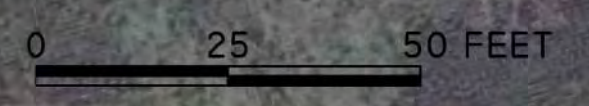


SEE SHEET 6

SEE SHEET 8

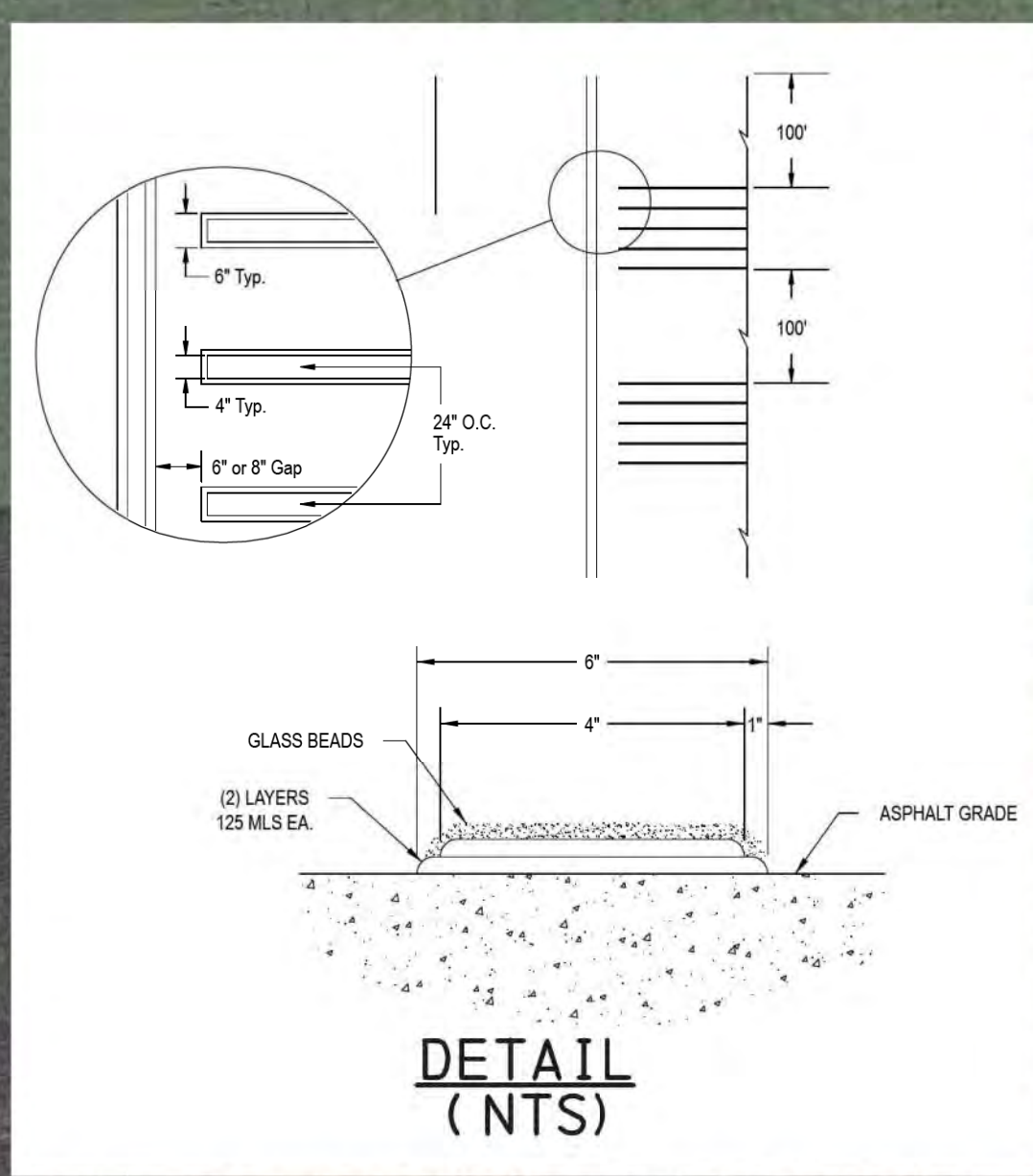
MATCHLINE

MATCHLINE

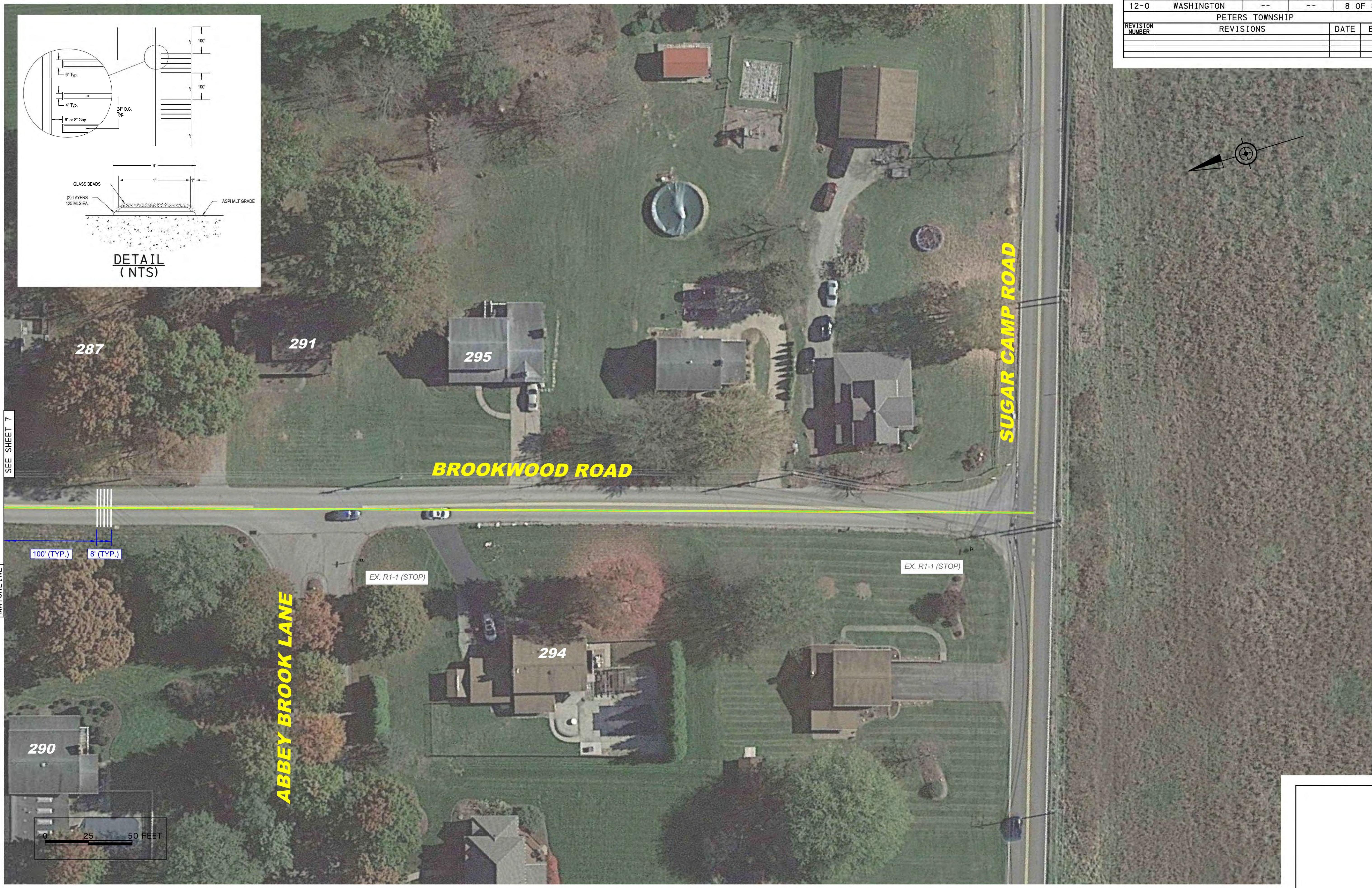


pw \\tpc-pw-bentley.com\TPDProj\active\use\Documents\Project\PTOM\00137 - Brookwood Traffic Calming\CADD (ORD PA S HOP 2022B3) Concept\10-11 Aer\1.d and Sheet Layout\Plan\concept plan 08.dgn
 11/2/2023 4:21:48 PM 11:25

DISTRICT	COUNTY	ROUTE	SECTION	SHEET
12-0	WASHINGTON	--	--	8 OF 8
PETERS TOWNSHIP				
REVISION NUMBER	REVISIONS	DATE	BY	



DETAIL
(NTS)



SEE SHEET 7

MATCH LINE

100' (TYP.)
8' (TYP.)

290

287

ABBAY BROOK LANE

291

BROOKWOOD ROAD

295

294

SUGAR CAMP ROAD

EX. R1-1 (STOP)

EX. R1-1 (STOP)



pw \\tpc-pw-bentley.com\TPD\Proj\active\se\Documents\Ver\1\VA\PTOM\00137 - Brookwood Traffic Calming\CADD (ORD PA S HOP 2022B3) \Concept\2023-10-11_Aer\1.d and Sheet Layout\Plan\concept plan 09.dgn
 11/2/2023 4:22:04 PM 1:25